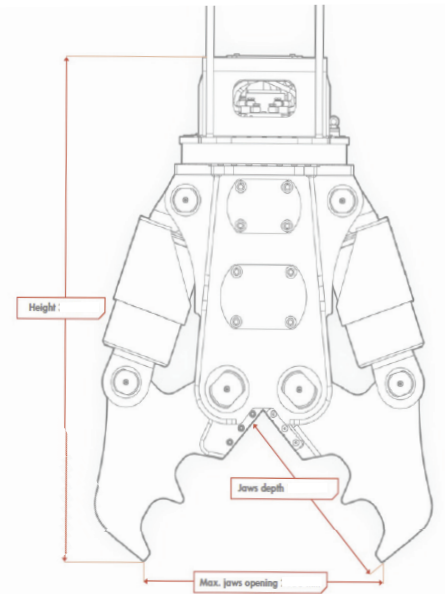


Rammer®

CUTTER CRUSHER

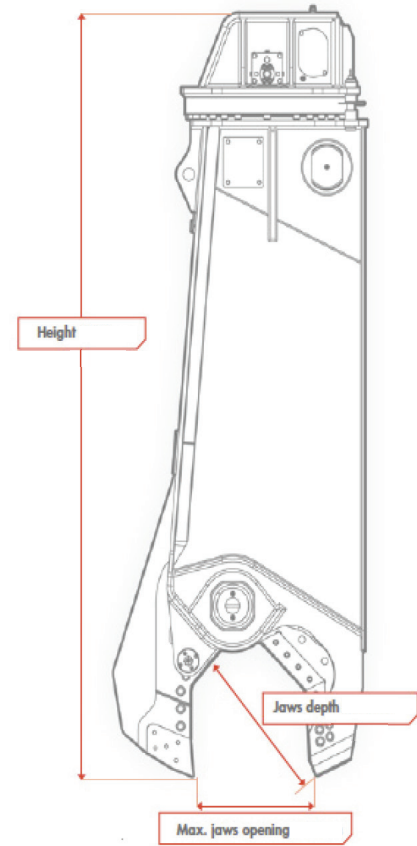
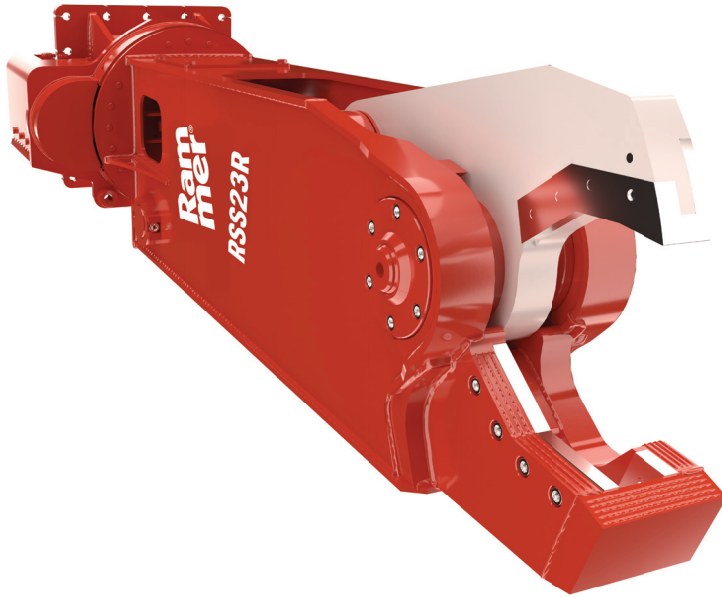


	Min. working weight	Weight	Max jaw opening	Jaw depth	Max cutting force	Max crushing force	Max operating pressure	Max diameter to be cut	Cutting blade length	Rotation	Closing time at max oil flow	Opening time at max oil flow	Carrier weight range
RCC04R	749 lbs (340 kg)	750 lbs (300 kg)	17.32" (440 mm)	7.87" (200 mm)	1300 kN	440 kN	3625 psi (250 bar)	0.98" (25 mm)	3.35" (85 mm)	360 °	2.3 s	1.1 s	6600 lbs -13200 lbs (3-6 T)
RCC10R	1490 lbs (675 kg)	1490 lbs (605 kg)	17.72" (450 mm)	15.7" (400 mm)	1410 kN	510 kN	3625 psi (250 bar)	1.42" (36 mm)	5.51" (140 mm)	360 °	3.8 s	2.3 s	11000 lbs -30900 lbs (5-14 T)
RCC16R	3510 lbs (1590 kg)	3280 lbs (1490 kg)	32.48" (800 mm)	27.5" (730 mm)	2840 kN	990 kN	4640 psi (320 bar)	1.97" (50 mm)	6.30" (160 mm)	360 °	2.5 s	2.5 s	30900 lbs -39700 lbs (14-18 T)
RCC21R	4920 lbs (2230 kg)	4520 lbs (2050 kg)	38.78" (1050 mm)	31.5" (810 mm)	3290 kN	1270 kN	4640 psi (320 bar)	2.28" (58 mm)	6.89" (175 mm)	360 °	2.2 s	3.7 s	39700 lbs -52900 lbs (18-24 T)
RCC30R	6,290 lbs (2855 kg)	2,640 lbs (2640 kg)	40.94" (1100 mm)	35.4" (900 mm)	3920 kN	1420 kN	4640 psi (320 bar)	2.48" (63 mm)	9.84" (250 mm)	360 °	2.3 s	4.0 s	52900 lbs -77200 lbs (24-35 T)
RCC43R	10,520 lbs (4770 kg)	9,810 lbs (4450 kg)	53.15" (1350 mm)	45.7" (1160mm)	5460 kN	1900 kN	4640 psi (320 bar)	3.15" (80 mm)	11.81" (300 mm)	360 °	4.4 s	4.2 s	77200 lbs -110200 lbs (35-50 T)
RCC60R	13778 lbs (6250 kg)	13051 lbs (5920 kg)	62.20" (1580 mm)	48.8" (1240mm)	6690 kN	2840 kN	5076 psi (350 bar)	3.14" (80 mm)	11.80" (300 mm)	360 °	3.0 s	6.0 s	100000 lbs -130000 lbs (50-65 T)
RCC80R	19,400 lbs (8800 kg)	17,460 lbs (8000 kg)	68.90" (1800 mm)	53.1" (1350mm)	7690 kN	3190 kN	5075 psi (350 bar)	3.54" (90 mm)	11.81" (300 mm)	360 °	3.0 s	5.0 s	198400 lbs -154300 lbs (70-90 T)
RCC110R	26,460 lbs (12000kg)	23,150 lbs (10500kg)	78.74" (2000 mm)	57.1" (1450mm)	9100 kN	3880 kN	5075 psi (350 bar)	3.54" (90 mm)	11.81" (300 mm)	360 °	3.0 s	6.0 s	198400 lbs -286600 lbs (90-130 T)

Information above may change at anytime without notification. • Actual results may vary depending on actual material construction, steel properties, carrier performance and operator competence. Please contact your Rammer Dealer or District Manager for questions. • Please visit www.Rammer.com for more product information

Rammer®

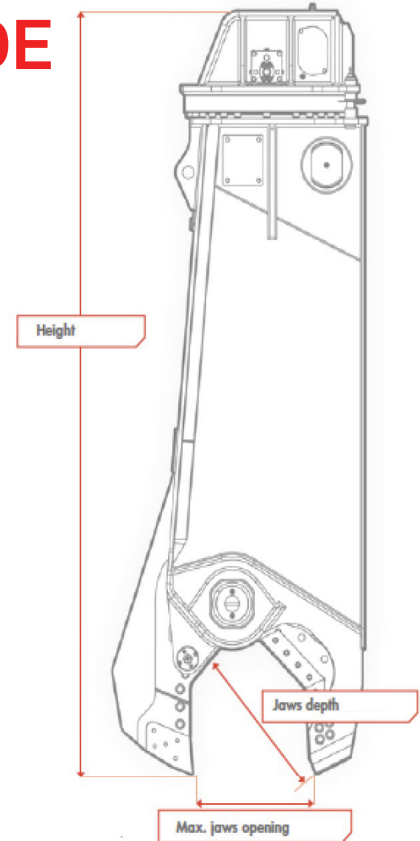
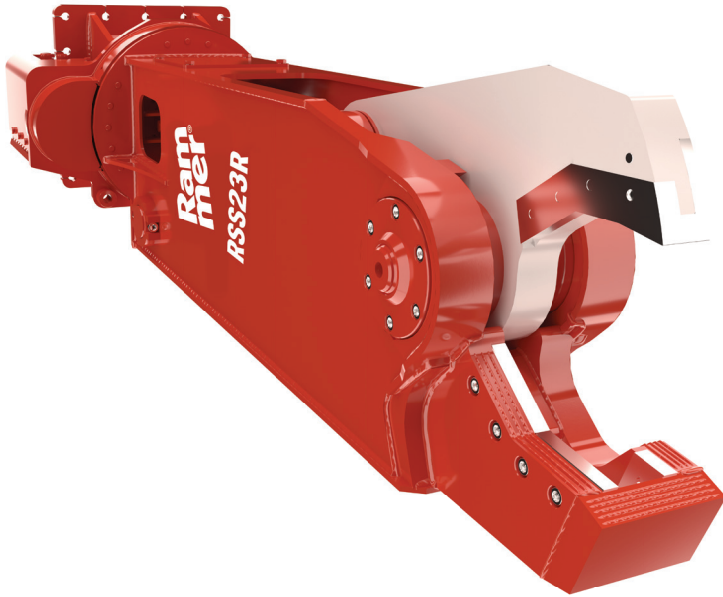
SCRAP SHEARS



	Min. working weight	Weight	Length	Max jaw opening	Jaw depth	Max operating pressure	Max diameter to be cut	Rotation	Closing time at max oil flow	Opening time at max oil flow	Carrier weight range
RSS05R	850 lbs (385 kg)	760 lbs (345 kg)	53.15" (1350 mm)	7.68" (195 mm)	7.87" (200 mm)	3625 psi (250 bar)	1.58" (40 mm)	360 °	2.4 s	1.8 s	8800-13200 lbs (4-6 T)
RSS08R	1490 lbs (675 kg)	1330 lbs (605 kg)	74.80" (1900 mm)	11.42" (290 mm)	11.41" (290 mm)	4351 psi (300 bar)	1.97" (50 mm)	360 °	2.8 s	2.0 s	13200- 19800 lbs (6-9 T)
RSS11R	2425 lbs (1100 kg)	2230 lbs (1010 kg)	78.74" (2000 mm)	14.76" (375 mm)	15.55" (395 mm)	4350 psi (300 bar)	2.17" (55 mm)	360 °	2.4 s	3.0 s	22000-26500 lbs (10-12 T)
RSS15R	2650 lbs (1200 kg)	2450 lbs (1100 kg)	82.68" (2100 mm)	14.76" (375 mm)	15.55" (395 mm)	4350 psi (300 bar)	2.17" (55 mm)	360°	2.4 s	3.0 s	28700-37500 lbs (13-17 T)
RSS23R	4700 lbs (2130 kg)	4300 lbs (1950 kg)	106.30" (2700 mm)	17.52" (445 mm)	20.67" (525 mm)	5075 psi (350 bar)	2.56" (65 mm)	360 °	1.9 s	2.6 s	39700-59500 lbs (13-17 T)
RSS34R	7300 lbs (3310 kg)	6830 lbs (3100 kg)	129.9" (3300 mm)	22.24" (565 mm)	24.08" (630 mm)	5075 psi (350 bar)	2.56" (65 mm)	360 °	2.5 s	4.3 s	617000-86000 lbs (28-39 T)
RSS45R	10760 lbs (4880 kg)	10050 lbs (4560 kg)	145.66" (3700 mm)	26.38" (670mm)	28.38" (720 mm)	5075 psi (350 bar)	2.56" (65 mm)	360 °	4.0 s	5.0 s	86000-110231 lbs (39-50 T)
RSS58R	12960 lbs (5880 kg)	12260 lbs (5560 kg)	155.51" (3950 mm)	29.92" (760 mm)	30.70" (780 mm)	5075 psi (350 bar)	2.56" (65 mm)	360 °	4.3 s	5.3 s	112400-130000 lbs (51-65 T)
RSS80R	18220 lbs (8265 kg)	16680 lbs (7565 kg)	169.29" (4300 mm)	32.68" (830 mm)	33.07" (840 mm)	5075 psi (350 bar)	5.12" (130 mm)	360 °	2.8 s	4.8 s	154300 -198400 lbs (70-90 T)

Information above may change at anytime without notification. • Actual results may vary depending on actual material construction, steel properties, carrier performance and operator competence. Please contact your Rammer Dealer or District Manager for questions. • Please visit www.Rammer.com for more product information

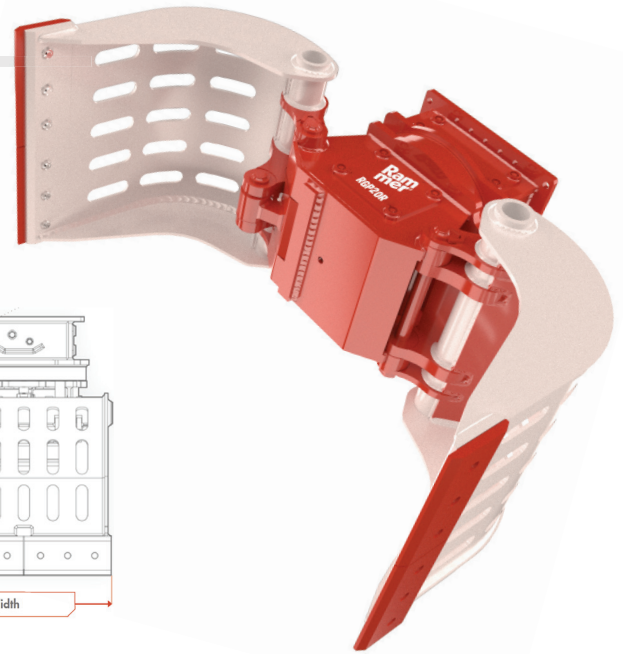
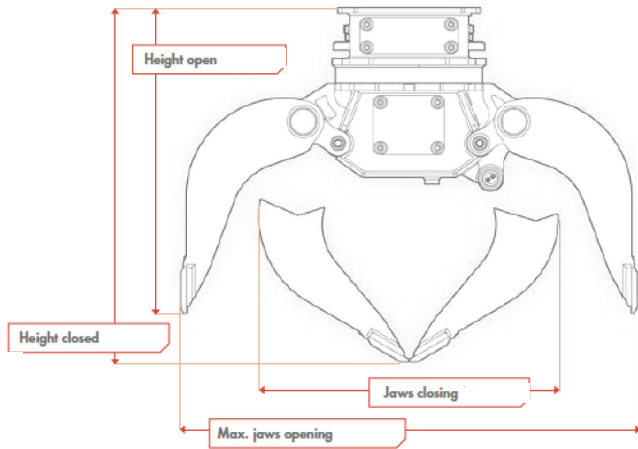
SCRAP SHEARS APPETITE GUIDE



	Rod ●	Pipe ○	S Shape ⌒	W Shape H	HP Shape H	Plate ■	Angle L	Rail I
RSS05R	1.57" (40 mm)	4.49" x 0.16" (114 mm x 4 mm)	4.72" (120 mm)	N/A	N/A	0.31" (8 mm)	4.72" x 0.39" (120 mm x 10 mm)	NO (Contact Dealer)
RSS08R	1.97" (50 mm)	5" x 0.24" (127 mm x 6 mm)	7.87" (200 mm)	4.72" (120 mm)	3.15" (80 mm)	0.39" (10 mm)	6.30" x 0.47" (160 mm x 12 mm)	NO (Contact Dealer)
RSS11R	2.17" (55 mm)	6.26" x 0.24" (159 mm x 6 mm)	9.45" (240 mm)	7.87" (200 mm)	4.72" (120 mm)	0.47" (12 mm)	5.51" x 0.47" (140 mm x 12 mm)	NO (Contact Dealer)
RSS15R	2.17" (55 mm)	6.26" x 0.24" (159 mm x 6 mm)	9.45" (240 mm)	7.87" (200 mm)	4.72" (120 mm)	0.47" (12 mm)	5.51" x 0.47" (140 mm x 12 mm)	NO (Contact Dealer)
RSS23R	2.56" (65 mm)	7.99" x 0.31" (203 mm x 8 mm)	14.17" (360 mm)	11.02" (280 mm)	7.87" (200 mm)	0.59" (15 mm)	7.87" x 15" (200 mm x 15 mm)	NO (Contact Dealer)
RSS34R	3.35" (85 mm)	12.76" x 0.39" (324 mm x 10 mm)	19.68" (500 mm)	13.39" (340 mm)	11.02" (280 mm)	0.79" (20 mm)	7.87" x 0.79" (200 mm x 20 mm)	NO (Contact Dealer)
RSS45R	3.94" (100 mm)	15.98" x 0.47" (406 mm x 12 mm)	23.62" (600 mm)	15.75" (400 mm)	11.81" (300 mm)	0.98" (25 mm)	7.87" x 0.98" (200 mm x 25 mm)	NO (Contact Dealer)
RSS58R	4.33" (110 mm)	20" x 0.55" (508 mm x 14 mm)	27.56" (700 mm)	19.68" (500 mm)	14.17" (360 mm)	0.98" (25 mm)	9.8" x 0.98" (250 mm x 25 mm)	NO (Contact Dealer)
RSS80R	5.12" (130 mm)	22.05" x 0.63" (560 mm x 16 mm)	31.50" (800 mm)	25.59" (650 mm)	17.72" (450 mm)	1.18" (30 mm)	11.81" x 1.18" (300 mm x 30 mm)	NO (Contact Dealer)

Information above may change at anytime without notification. • Actual results may vary depending on actual material construction, steel properties, carrier performance and operator competence. Please contact your Rammer Dealer or District Manager for questions. • Please visit www.Rammer.com for more product information

GRAPPLES

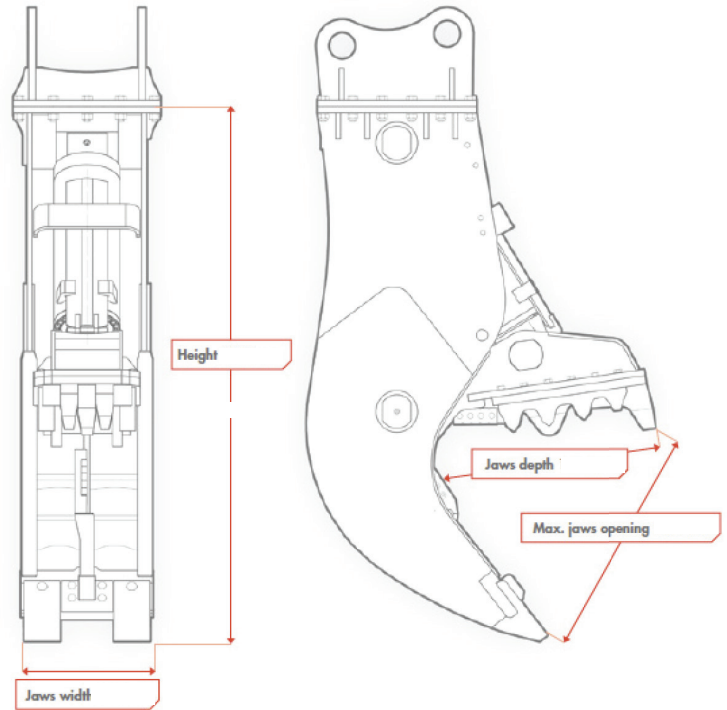
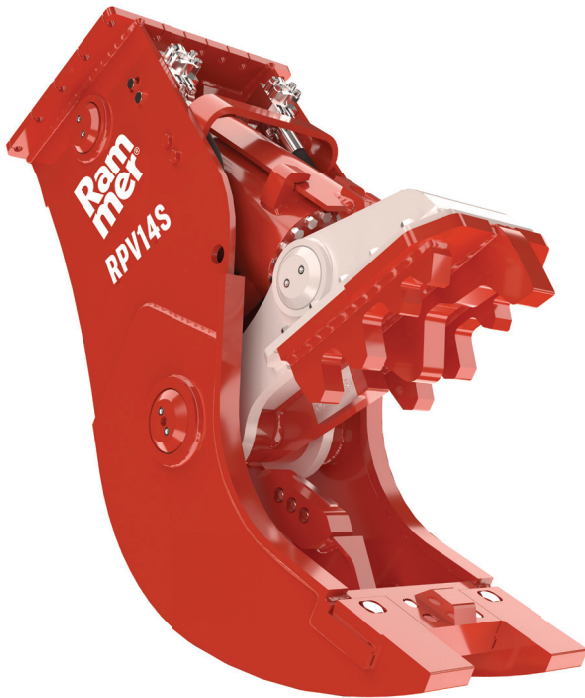


	Min. working weight	Weight	Max jaw opening	Jaw width	Max operating pressure	Rotation	Material Capacity	Carrier weight range
RGP07R	1370 lbs (620 kg)	1160 lbs (525 kg)	59.06" (1500 mm)	23.62" (600 mm)	3625 psi (250 bar)	360°	52 gal (200 L)	11000 lbs - 17600 lbs (5-8 T)
RGP09R	1540 lbs (700 kg)	1340 lbs (610 kg)	64.96" (1650 mm)	23.62" (600 mm)	4350 psi (300 bar)	360°	79 gal (300 L)	15400 lbs - 24300 lbs (7-11 T)
RGP13R	18100 lbs (820 kg)	1600 lbs (725 kg)	66.93" (1700 mm)	31.50" (800 mm)	4640 psi (320 bar)	360°	105 gal (400 L)	22000 lbs - 33100 lbs (10-15 T)
RGP16R	2930 lbs (1330 kg)	2540 lbs (1150 kg)	178.74" (2000 mm)	29.53" (750 mm)	5075 psi (350 bar)	360°	132 gal (500 L)	30900 lbs - 39700 lbs (14-18 T)
RGP18R	3090 lbs (1400 kg)	2690 lbs (1220 kg)	78.74" (2000 mm)	35.43" (900 mm)	5075 psi (350 bar)	360°	158 gal (600 L)	35300 lbs - 44100 lbs (16-20 T)
RGP20R	3260 lbs (1480 kg)	2870 lbs (300 kg)	78.74" (2000 mm)	39.37" (1000 mm)	5075 psi (350 bar)	360°	184 gal (700 L)	39700 lbs - 48500 lbs (18-22 T)
RGP23R	3460 lbs (1570 kg)	3060 lbs (1390 kg)	82.68" (2100 mm)	39.37" (1000 mm)	5075 psi (350 bar)	360°	211 gal (800 L)	46300 lbs - 55100 lbs (21-25 T)
RGP28R	5100 lbs (2375 kg)	4630 lbs (2100 kg)	87.80" (2250 mm)	47.24" (1200 mm)	5075 psi (350 bar)	360°	237 gal (900 L)	55100 lbs - 66100 lbs (25-30 T)
RGP33R	5580 lbs (2530 kg)	5100 lbs (2315 kg)	88.19" (2285 mm)	51.18" (1300 mm)	5075 psi (350 bar)	360°	264 gal (1000 L)	66100 lbs - 77200 lbs (30-35 T)
RGP38R	5750 lbs (2610 kg)	5270 lbs (2390 kg)	88.19" (2285 mm)	53.15" (1350 mm)	5075 psi (350 bar)	360°	290.6 gal (1100 L)	77200 lbs - 88200 lbs (35-40 T)

Information above may change at anytime without notification. • Actual results may vary depending on actual material construction, steel properties, carrier performance and operator competence. Please contact your Rammer Dealer or District Manager for questions. • Please visit www.Rammer.com for more product information

Rammer®

STATIC PULVERIZER

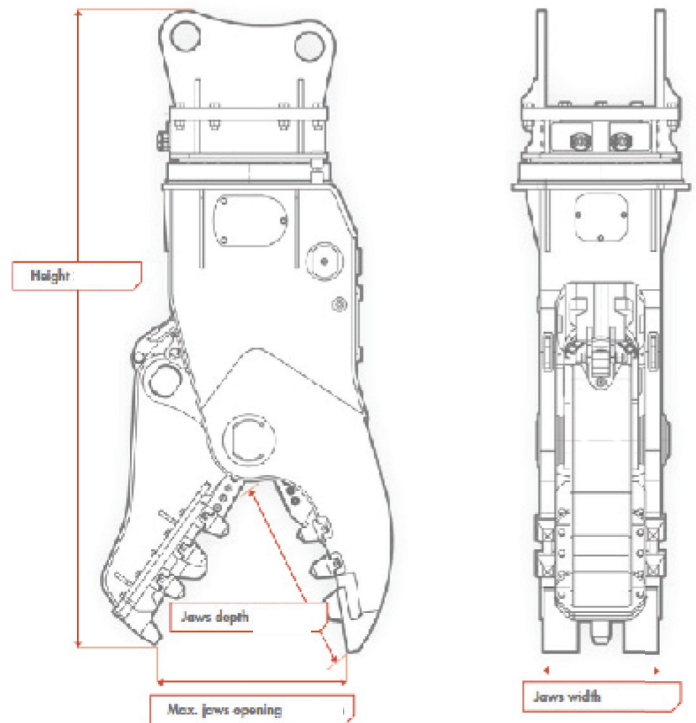


	Min. working weight	Weight	Max jaw opening	Jaw width	Max operating pressure	Rotation	Cutting blade length	Max Diameter to be cut	Closing time at max oil flow	Opening time at max oil flow	Carrier weight range
RVP03S	310 lbs (140 kg)	260 lbs (120 kg)	18.9" (480 mm)	13.8" (350 mm)	3625 psi (250 bar)	0°	3.15" (80 mm)	0.59" (15 mm)	3.1 s	2.0 s	3300 lbs - 8800 lbs (1.5-4 T)
RVP07S	1080 lbs (490 kg)	930 lbs (420 kg)	64.96" (1650 mm)	13.8" (350 mm)	4060 psi (280 bar)	0°	4.72" (120 mm)	0.98" (25 mm)	3.4 s	2.4 s	8800 lbs-22000 lbs (4-10 T)
RVP14S	2350 lbs (1065 kg)	2140 lbs (970 kg)	24.4" (620 mm)	18.1" (460 mm)	4640 psi (320 bar)	0°	4.80" (122 mm)	1.97" (50 mm)	3.1 s	1.9 s	22000 lbs - 33000 lbs (10-15 T)
RVP22S	4860 lbs (2205 kg)	4460 lbs (2025 kg)	32.68" (830 mm)	21.7" (550 mm)	4640 psi (320 bar)	0°	7.09" (180 mm)	2.17" (55 mm)	2.3 s	2.3 s	39700 lbs - 55100 lbs (18-25 T)
RVP30S	6790 lbs (3080 kg)	6310 lbs (2860 kg)	39.37" (1000 mm)	23.8" (605 mm)	4060-4640 psi (289-320 bar)	0°	7.09" (180 mm)	2.36" (60 mm)	2.9 s	2.7 s	55100 lbs - 77200 lbs (25-35 T)
RVP40S	9220 lbs (4180 kg)	8510 lbs (3860 kg)	45.28" (1150 mm)	26" (660 mm)	4060-4640 psi (289-320 bar)	0°	8.66" (220 mm)	2.56" (65 mm)	3.5 s	3.4 s	77200 lbs - 99200 lbs (35-45 T)

Information above may change at anytime without notification. • Actual results may vary depending on actual material construction, steel properties, carrier performance and operator competence. Please contact your Rammer Dealer or District Manager for questions. • Please visit www.Rammer.com for more product information

Rammer®

ROTATING PULVERIZER



	Min. working weight	Weight	Max jaw opening	Jaw width	Jaw depth	Max operating pressure	Rotation	Cutting blade length	Max Diameter to be cut	Closing time at max oil flow	Opening time at max oil flow	Carrier weight range
RVP14R	2540 lbs (1150 kg)	2310 lbs (1050 kg)	22.83" (580 mm)	16.14" (410 mm)	23.22" (590 mm)	5075 psi (350 bar)	360°	4.80" (122 mm)	1.38" (35 mm)	2.2 s	1.1 s	22000-33000 lbs (10-15 T)
RVP22R	4590 lbs (2080 kg)	4190 lbs (1900 kg)	29.53" (750 mm)	18.7" (475 mm)	28.74" (730 mm)	5075 psi (350 bar)	360°	7.1" (180 mm)	2.17" (55 mm)	1.4 s	2.3 s	39700-57300 lbs (18-26 T)
RVP29R	6590 lbs (2990 kg)	6110 lbs (2770 kg)	35.43" (900 mm)	21.6" (550 mm)	28.74" (730 mm)	5075 psi (350 bar)	360°	8.7" (220 mm)	2.4" (61 mm)	2.3 s	2.3 s	57300-70500 lbs (26-32 T)
RVP39R	9360 lbs (4245 kg)	8650 lbs (3925 kg)	39.37" (1000 mm)	24.4" (620 mm)	34.25" (870 mm)	5075 psi (350 bar)	360°	8.7" (220 mm)	2.4" (61 mm)	2.9 s	2.7 s	70500-99200 lbs (32-45 T)

Information above may change at anytime without notification. • Actual results may vary depending on actual material construction, steel properties, carrier performance and operator competence. Please contact your Rammer Dealer or District Manager for questions. • Please visit www.Rammer.com for more product information